

# STOCKPILE

YOUR RELIABLE BUSINESS PARTNER SINCE 2019  
BUILDING THE FUTURE TOGETHER



13/A SECTOR 11, UTTARA, DHAKA



[WWW.STOCKPILEBD.COM](http://WWW.STOCKPILEBD.COM)

# ABOUT US

**STOCKPILE** is a dynamic company specializing in providing a wide range of essential supplies and ARCHITECTURAL consultancy services. With an establishment date in 2019, we have rapidly grown to become a reliable partner in various industries. Our team of experts has years of experience in Architectural DESIGN, INTERIOR SOLUTIONS, BUILDING CONSTRUCTION & project LOGISTICS consultancy services and we are committed to providing high-quality services to all of our clients.

## CELEBRATING VISIONARY LEADERSHIP

At **STOCKPILE**, we are proud to be led by an exceptional entrepreneur, Architect **Sharmin Ara Suma**. Her vision, passion, and commitment have propelled our company to new heights in our business. As a trailblazing female entrepreneur, she inspires innovation and empowers a culture of excellence, driving us toward sustainable growth and success. Her journey embodies resilience, creativity, and leadership, making **STOCKPILE** not just a business but a testament to her unwavering determination to redefine possibilities.

### ARCHITECTURE DESIGN AND CONSULTANCY

To provide exclusive **design & quality construction** services that exceed client expectations while ensuring safety and efficiency on every project.

### PROJECT LOGISTICS CONSULTANCY

We uphold **integrity, teamwork,** and innovation in all our projects to create lasting relationships with our clients.

### OFFICE SUPPLIES

Safety Tools, Electronics & IT Products, Any kind of project supplies, Stationary & Consumables, Optical & Medical Items.

**Building the future together**

# ARCHITECTURE DESIGN AND CONSULTANCY

Completed project: 49  
Ongoing project: 03

# Interior Solutions

## We offer

Retail outlet Design, Interior solution, Tender Preparation, AutoCad Drawings, Eatery design & Solutions, Child Day care, Kids Play zone and others.

## Our Features

Offering a wide range of interior & construction solutions, from residential builds to commercial renovations that meet your needs.

**Get Your  
Free  
Survey  
Now**

## Contact Us

Email: [sales@stockpilebd.com](mailto:sales@stockpilebd.com)  
Hotline no: 09639183887  
Mobile: +8801816335713

**STOCKPILE**

[www.stockpilebd.com](http://www.stockpilebd.com)



# PROJECT LOGISTICS CONSULTANCY

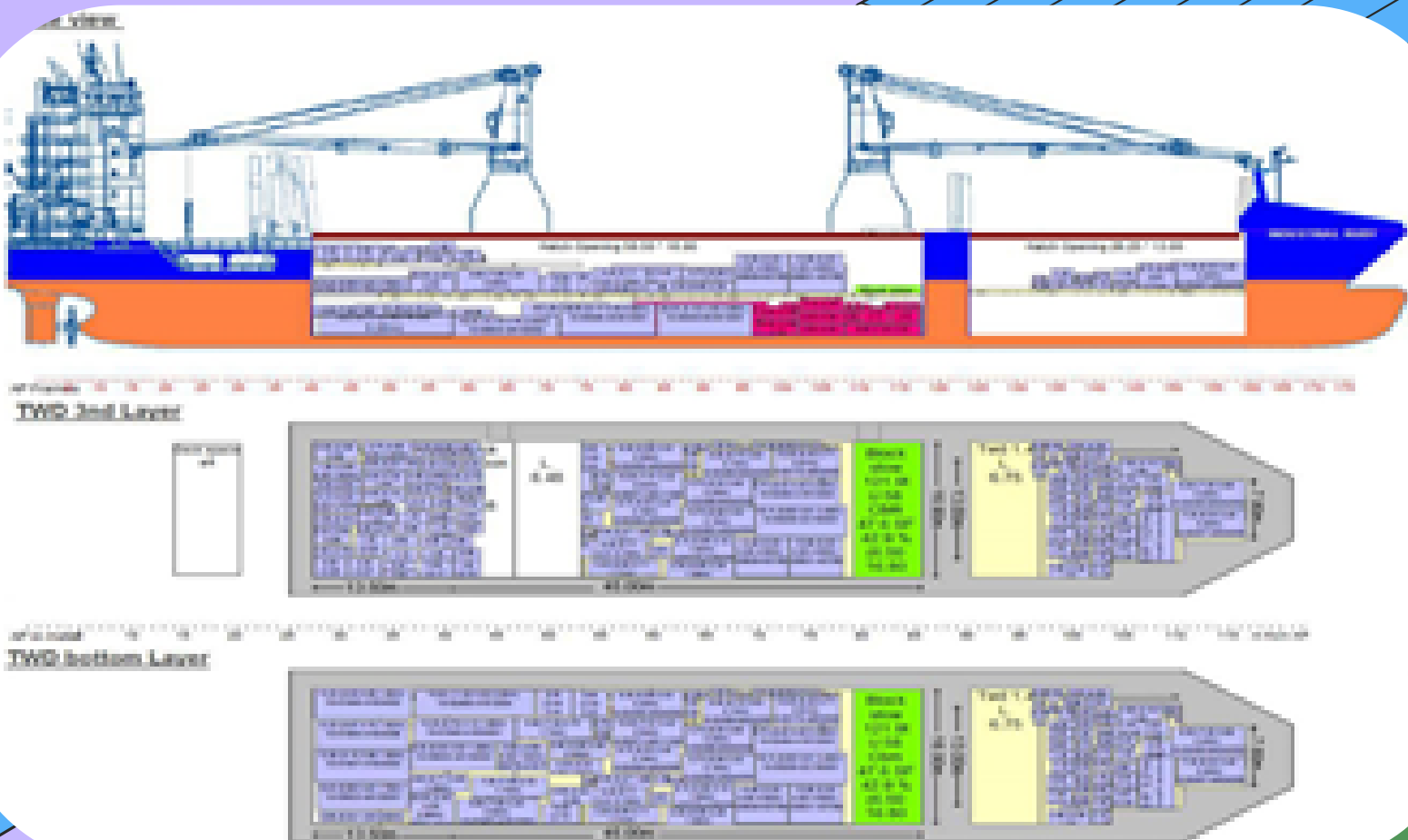
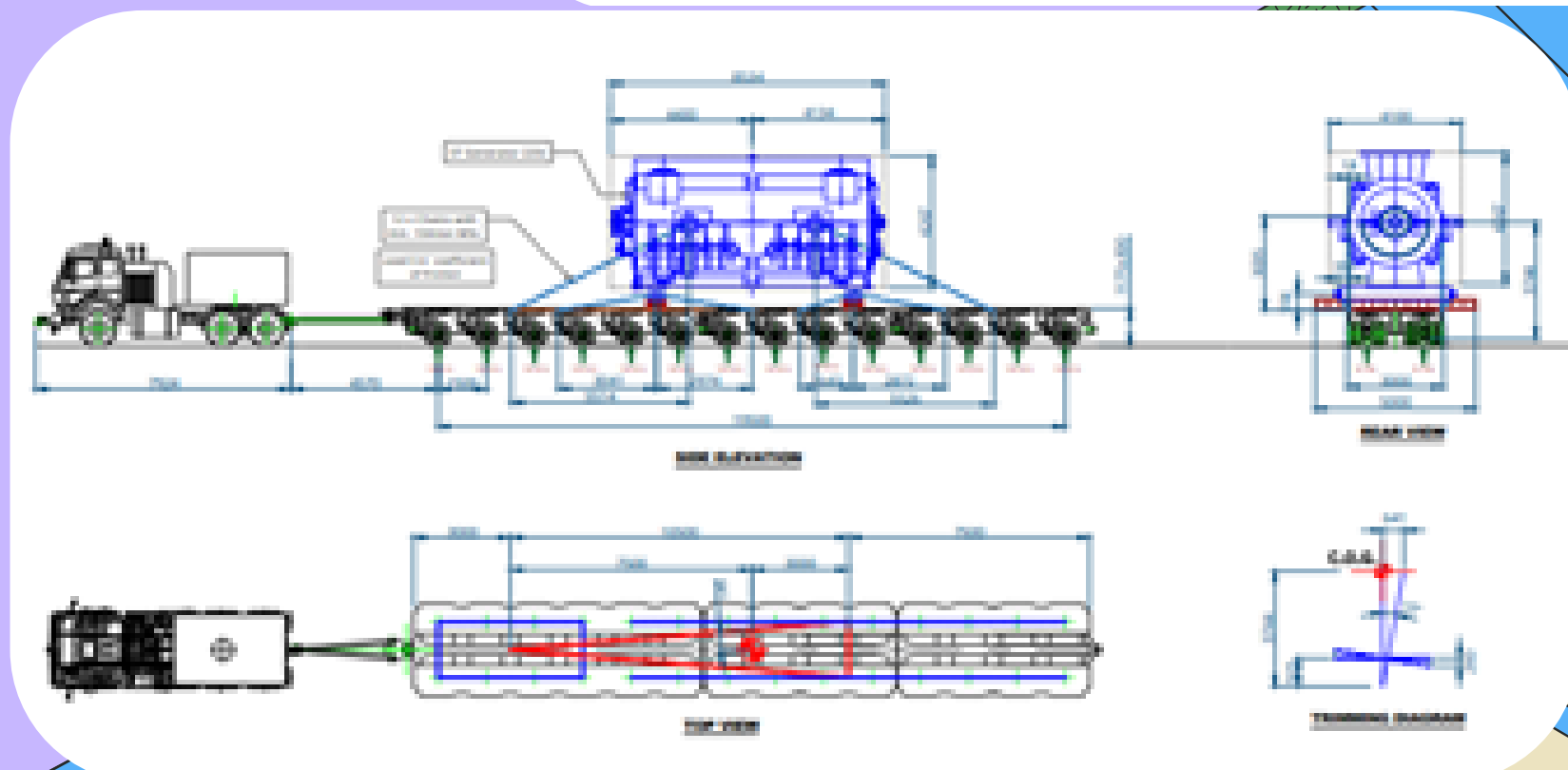
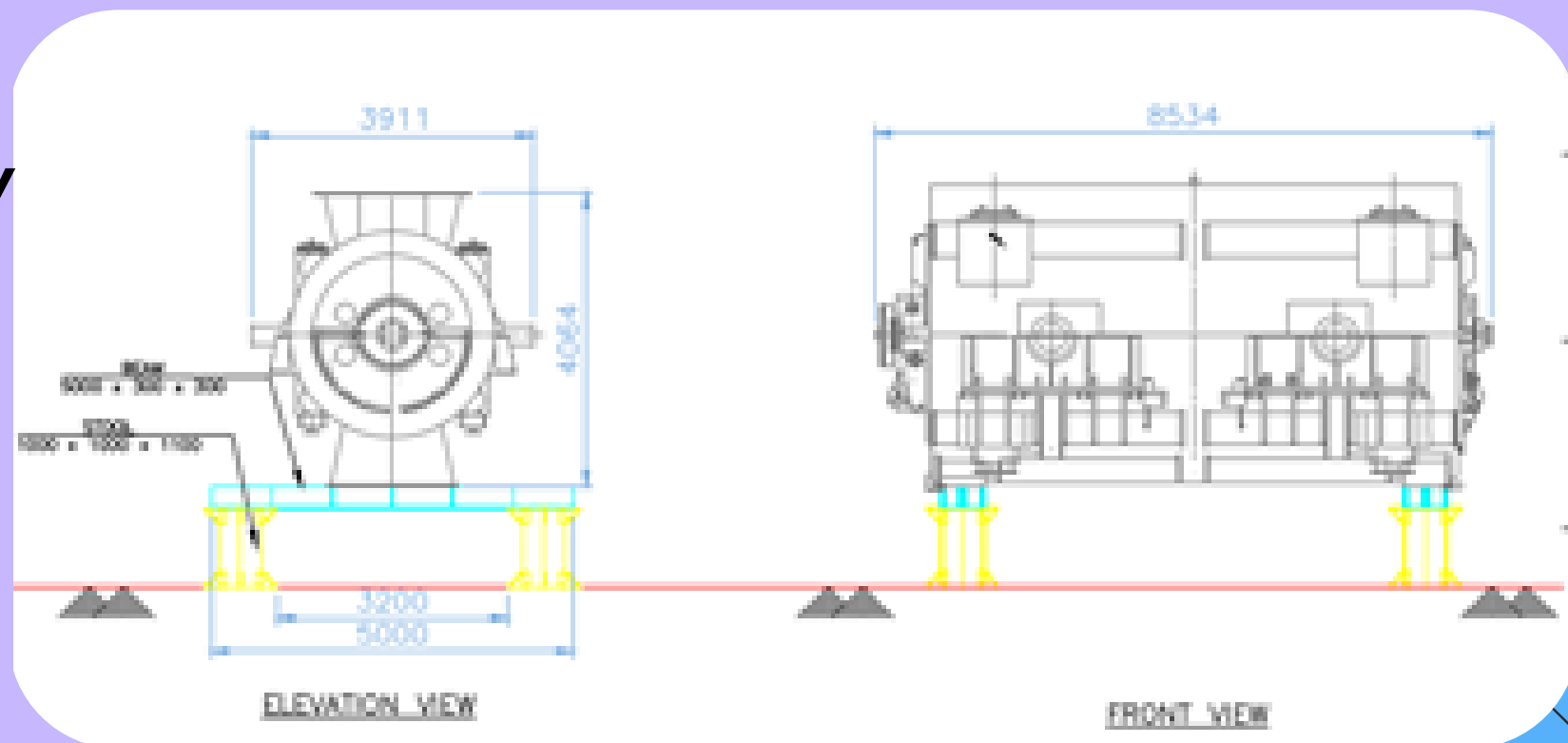
STOWAGE PLANNING, BARGE/CARGO PLANNING, CARGO SIMULATION PLANNING, METHOD STATEMENT, ROUTE SURVEY, WAREHOUSING AND ANY KIND OF RENTAL EQUIPMENT SUPPLY, ETC.

📍 13/A SECTOR 11, UTTARA, DHAKA

🌐 [WWW.STOCKPILEBD.COM](http://WWW.STOCKPILEBD.COM)

📅 SATURDAY TO THURSDAY

☎️ +8801816335713



**STOCKPILE**

**CONTACT US**



Reliable partner for

WE SUPPLIES QUALITY  
PRODUCT ONLY

# ESSENTIAL OFFICE SUPPLIES

## SAFETY TOOLS

01

We sell only quality products with proper certification.

## ELECTRONICS & IT PRODUCTS

02

We supply quality products from direct manufacturers & direct importers.

## PROJECT SUPPLIES

03

Scaffoldings, empty containers, bolts, nuts, rental equipment's and consumables etc.

## STATIONARY, CONSUMABLES, OPTICAL & MEDICAL ITEMS

04

STOCKPILE



# OUR MISSION

To provide efficient, reliable, and innovative solutions for interior designing and supply chain optimization, empowering businesses in Bangladesh to thrive through streamlined operations and sustainable practices.

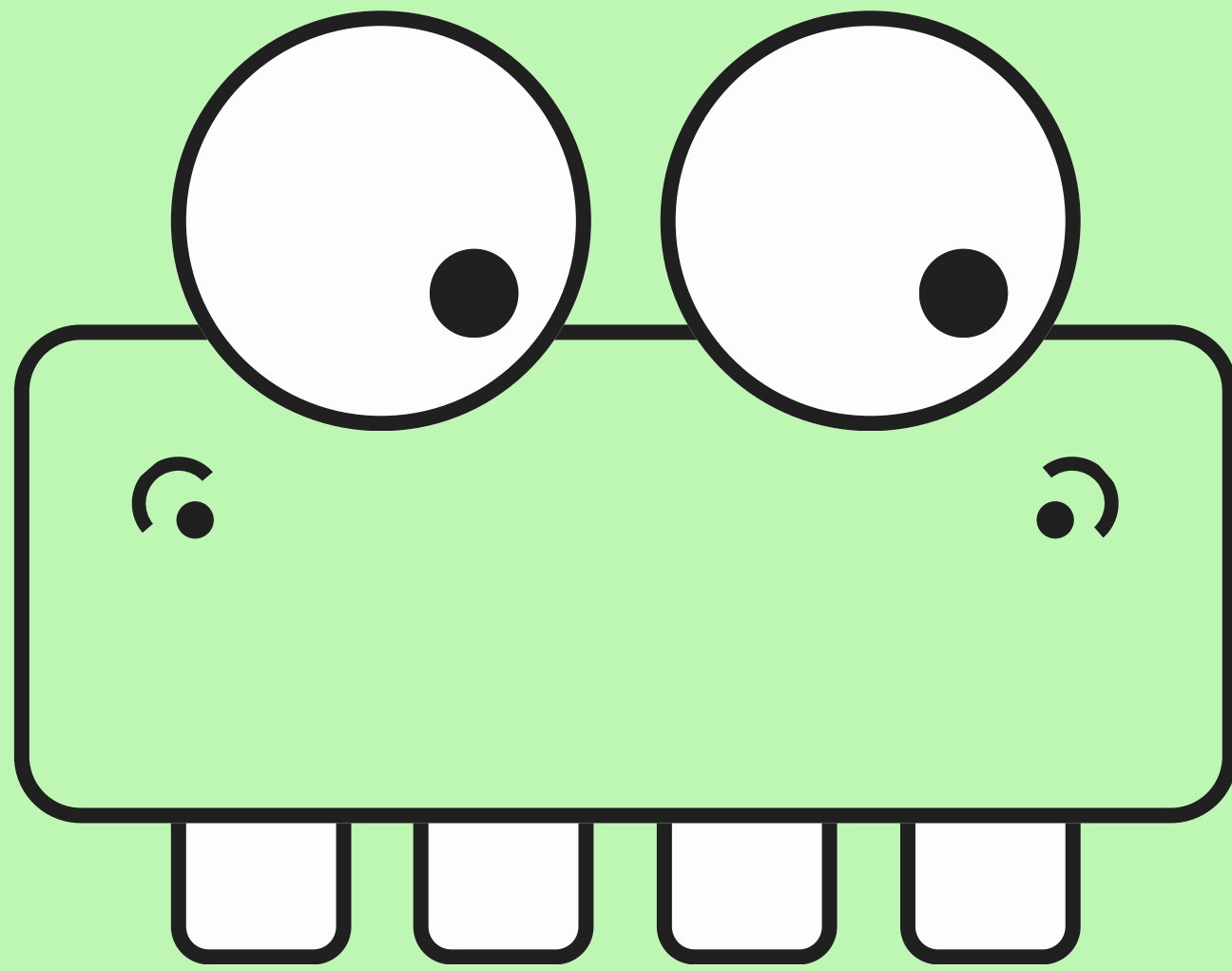
## OUR VISION

To become the leading platform for interior & supply chain excellence in Bangladesh, transforming the industry with cutting-edge technology, superior service, and a commitment to economic growth and environmental responsibility.





# STOCKPILE



**YOU ARE  
SPECIAL**

**OUR HAPPY CORPORATE CLIENTS**





**KEEP IT  
CLEAN.**



**KEEP IT  
GREEN.**

**STOCKPILE**

Find out how to get involved.

Visit us at [www.stocpilebd.com](http://www.stocpilebd.com)

# FIND US



## Specialities :

- Have 5+ experience in the field
- Expert architects & Manpowers
- 24/7 response
- Up to date legal docs

## More Information :

[www.stockpilebd.com](http://www.stockpilebd.com)

## Send Your inquiry :

[sales@stockpilebd.com](mailto:sales@stockpilebd.com)

## Contact :

 +8801816335713

 @stockpilebd

 13/A, Sector 11, Uttara, Dhaka

# STOCKPILE



*Thank You*

FOR YOUR PURCHASE

**STOCKPILL**